

**Olympian Plus  
Soft Start/Dump Valve  
1/4", 3/8", 1/2", 3/4" Port Sizes**

- **Olympian Plus plug in design**
- **Controls increase of downstream pressure on start up. Cylinders and other air operated devices are eased into normal operating positions, reducing the possibility of equipment damage and hazards to the user.**
- **3 port/2 position, normally closed, soft start valve with optional manual lockout slide**
- **Blocks inlet air and exhausts downstream air when pilot signal is removed or when the optional manual lockout slide is closed**
- **Optional manual slide can be padlocked in closed position**
- **Solenoid pilot or air pilot operation**
- **Designed primarily for use in start-up and shutdown of equipment, not as a frequently cycling directional control valve. Norgren offers a wide variety of valves designed for frequent cycling and other applications. Please refer to the P72C and P74C valves, and to other Norgren valve catalogs.**



### Technical Data

System air supply: Turn on system air supply prior to applying pilot signal to operator. Failure to do so may cause valve to continuously exhaust.

Fluid: Compressed air

Maximum pressure solenoid operated: Dependent on solenoid rating. Must not exceed 17 bar (250 psig).

Maximum pressure pilot operated: 17 bar (250 psig)

Minimum operating pressure: 3 bar (44 psig)

Operating temperature solenoid operated: Dependent on solenoid rating. Must be within range -20°C\* to +50°C (0°F\* to +125°F).

Operating temperature pilot operated:  
-20°C\* to +80°C (0°F\* to +175°F)

\* Air supply must be dry enough to avoid ice formation at temperatures below +2°C (+35°F).

Air pilot port:

Rc1/4 with ISO G and ISO Rc main ports

1/4 PTF with PTF main ports

Exhaust port:

G1/2 with ISO G and ISO Rc main ports

1/2" PTF with PTF main ports

Typical flow with 6,3 bar (90 psig) inlet pressure and pressure drop of 0.5 bar (7 psig):

57 dm<sup>3</sup>/s (120 scfm) (P<sub>1</sub> to P<sub>2</sub> = Cv 4,2) (P<sub>2</sub> to P<sub>3</sub> = Cv 5,6)

Snap pressure: Full flow when downstream pressure reaches 50 – 80% of inlet pressure

Charge time for 2 litre downstream volume and 6,3 bar (90 psig) inlet pressure:

Minimum 0,2 sec.

Typical maximum 58 sec.

### Materials:

Body: Zinc alloy

Intermediate body and top plate: Aluminium

Exhaust bonnet: Zinc alloy

Yoke: Zinc alloy

Elastomers: Synthetic materials

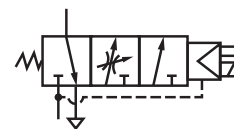
Filter discs: Sintered plastic

Internal components: Brass/steel

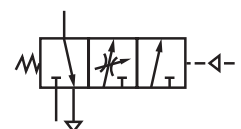
### Ordering Information

See *Ordering Information* on the following pages.

### ISO Symbols



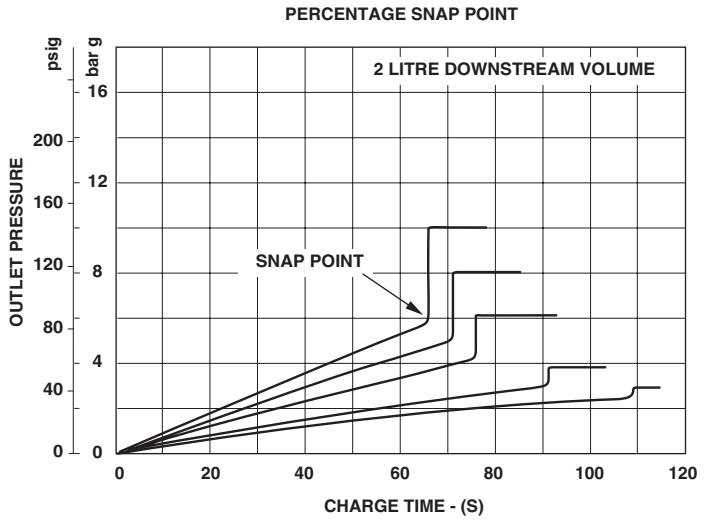
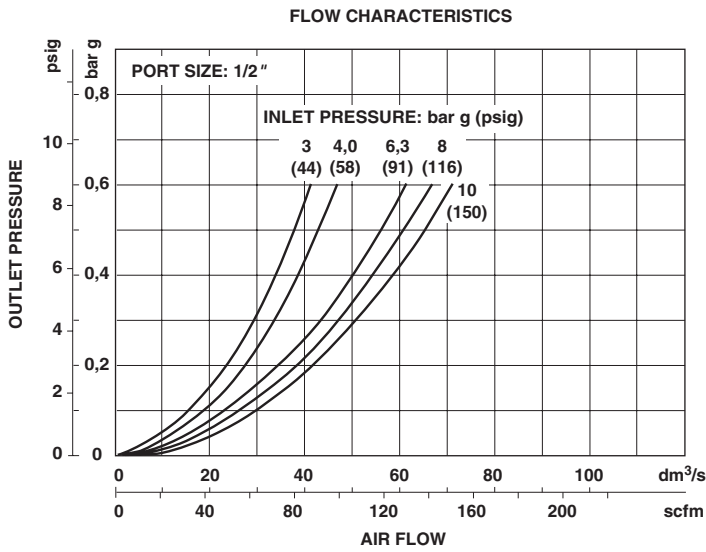
Solenoid operated



Air pilot



### Typical Performance Characteristics



### Ordering Information

Port Size	Solenoid Operated* Model	Weight kg	Air Pilot Operated Model	Weight kg
G1/4	P64F-2GC-PZN	2,07	P64F-2GA-NNN	1,96
G3/8	P64F-3GC-PZN	2,05	P64F-3GA-NNN	1,94
G1/2	P64F-4GC-PZN	2,02	P64F-4GA-NNN	1,91
G3/4	P64F-6GC-PZN	2,38	P64F-6GA-NNN	2,27

\* Solenoid operated models are supplied with solenoids but without solenoid coils. To select solenoid type and coil voltage refer to alternative models table below.

For replacement soft start/dump valve, without yoke substitute 'NN' at 5th and 6th digit eg. P64F-NNC-PZN.

### Alternative Models

P 6 4 F - ★ ★ ★ - ★ ★ ★

Port Size	Substitute
1/4"	2
3/8"	3
1/2"	4
3/4"	6

Threads	Substitute
PTF	A
ISO Rc taper	B
ISO G parallel	G

Operator	Substitute
Air pilot**	A
Air pilot with manual shut-off**	B
22 mm miniature solenoid	C
22 mm miniature solenoid with manual shut-off	D
CNOMO solenoid	L
CNOMO solenoid with manual lockout slide	M

Connectors	Substitute
3 pin plug with cable gland, no indicator	A
Without	N

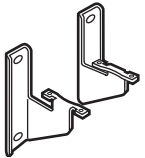
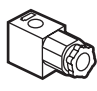
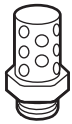
Coil Voltage	Nominal Power Rating	Substitute
24 V d.c.	2 W	F
12 V d.c.	2 W	E
6 V d.c.	2 W	D
220/240 V 50/60 Hz	4/2,5 VA	B
110/120 V 50/60 Hz	4/2,5 VA	A
No coil	2 W	Z
No solenoid		N

Solenoid Manual Operator	Substitute
Shrouded push button	P
None	N

\*\* to order air pilot models also substitute 'NNN' at digits 8, 9 and 10 e.g. P64F-2GA-NNN.

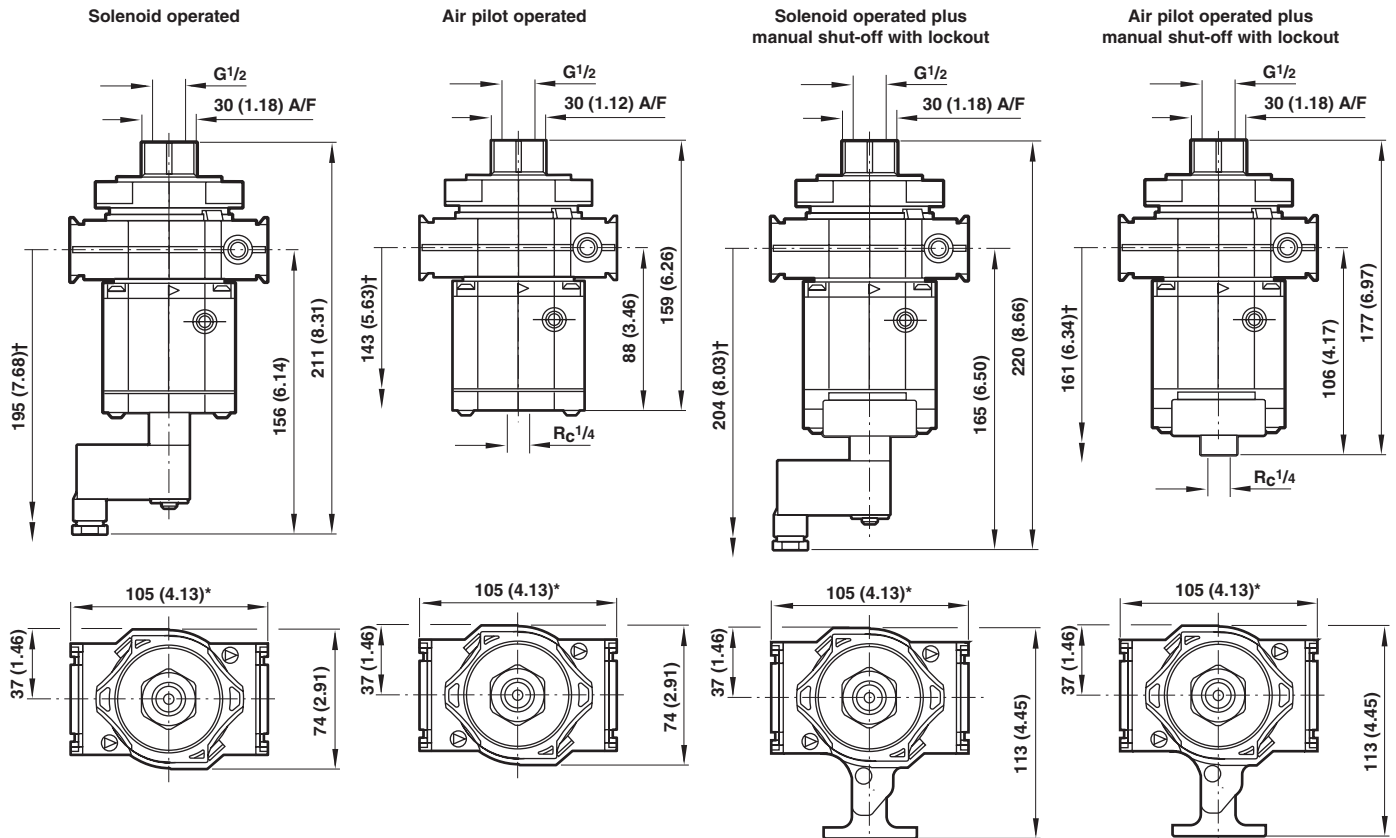


**Accessories**

 Bracket Kit	 Plug with Cable Gland for 22 mm Solenoid	 Exhaust Port Silencer
74504-50	M/P24121/1* 12-24 V ac/dc	Indicator type MB004B (R1/2)
	M/P24121/2 150-230 V ac	Indicator type MB004A (1/2" PTF)
	M/P24121/3 150-230 V ac	Indicator type
	M/P19063	No Indicator

\* Reduced light intensity at 12 V.

**Dimensions mm (inches)**



† Minimum clearance required to remove unit.

\* 157 mm (6.18 inches) for G3/4 models



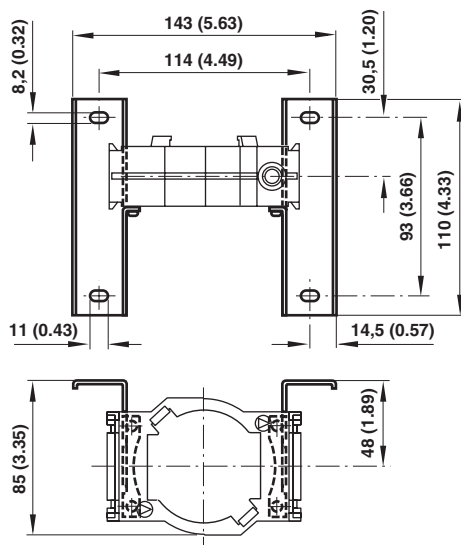
## Bracket Mounting

### Mounting Bracket

Use 8 mm (5/16") screws to mount bracket to wall.

## Bracket Kit Reference

Item	Part Number
Wall Bracket	74504-50



## Warning

These products are intended for use in industrial compressed air systems only. Do not use these products where pressures and temperatures can exceed those listed under 'Technical Data'.

Before using these products with fluids other than those specified, for non-industrial applications, life-support systems, or other applications not within published specifications, consult NORGREN.

Through misuse, age, or malfunction, components used in fluid power systems can fail in various modes. The system designer is warned to consider the failure modes of all component parts used in fluid power systems and to provide adequate safeguards to prevent personal injury or damage to equipment in the event of such failure.

**System designers must provide a warning to end users in the system instructional manual if protection against a failure mode cannot be adequately provided.**

System designers and end users are cautioned to review specific warnings found in instruction sheets packed and shipped with these products.