

**Olympian Plus**  
**Oil vapour removal (adsorbing) filter**  
**G½ ... G1**

**Adsorbing type activated carbon element removes oil vapours and most hydrocarbon odours**

**Long service life of filter element. Minimum life of 400 hours when an oil removal filter is installed upstream and the filtration temperature is in the region of 20° to 26°C.**

**Oil and dirt contamination in outlet air within ISO 8573-1: Quality Class 1.7.1 when inlet air is prefiltered with an F68G and F68C/H.**



**Technical data**

Fluid:

Compressed air

Maximum pressure:

17 bar

Operating temperature:

-20° to 65°C

Consult our Technical Service for use below +2°C

Air quality:

Within ISO 8573-1, Class 1 (oil content) when installed downstream of an oil removal filter

Maximum remaining oil content in outlet air:

0,003 mg/m<sup>3</sup> at 20°C

Maximum flow at 6,3 bar inlet pressure to maintain stated oil removal performance:

1/2" ports: 25 dm<sup>3</sup>/s

3/4" ports: 35 dm<sup>3</sup>/s

1" ports: 60 dm<sup>3</sup>/s

Nominal bowl size:

1 litre

0,5 litre

Required pre-filter:

Oil removal filter with equivalent pipe size and flow capacity equal to or greater than the vapour removal filter. It is recommended that a general purpose filter with a 5µm element be installed upstream of the oil removal filter.

**Materials**

Body: Aluminium

Yoke: Aluminium

Bowl: Aluminium

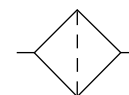
Element: Activated carbon and aluminum

Elastomers: Synthetic rubber

**Ordering information**

See *Ordering Information* on the following pages.

**ISO Symbols**



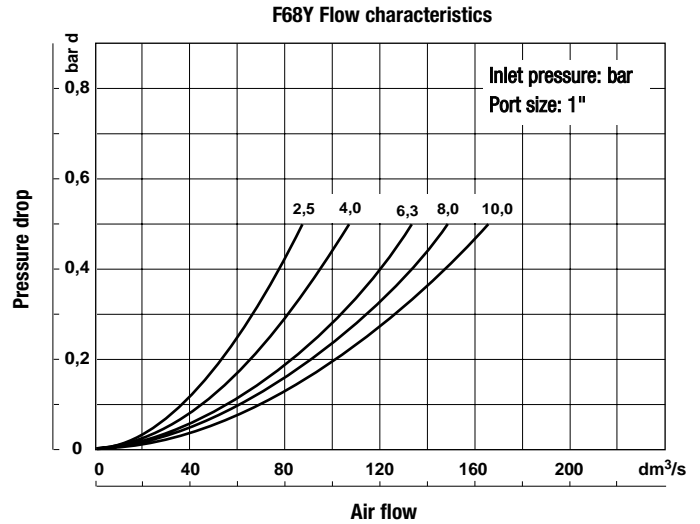
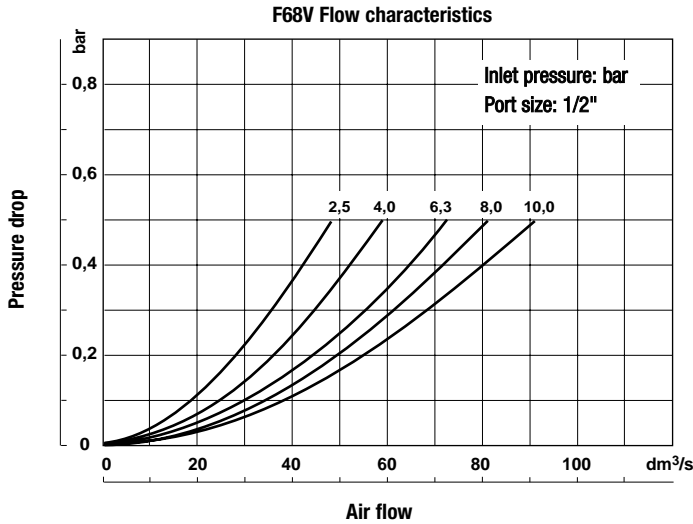
Closed bottom



### Typical performance characteristics

Inlet pressure (bar)	Maximum flow (dm <sup>3</sup> /s)	
	F68V G1/2	F68Y G1
2,5	15,7	37,8
4	20	48
6,3	25	60
8	28,3	67,8
10	31,5	75,6

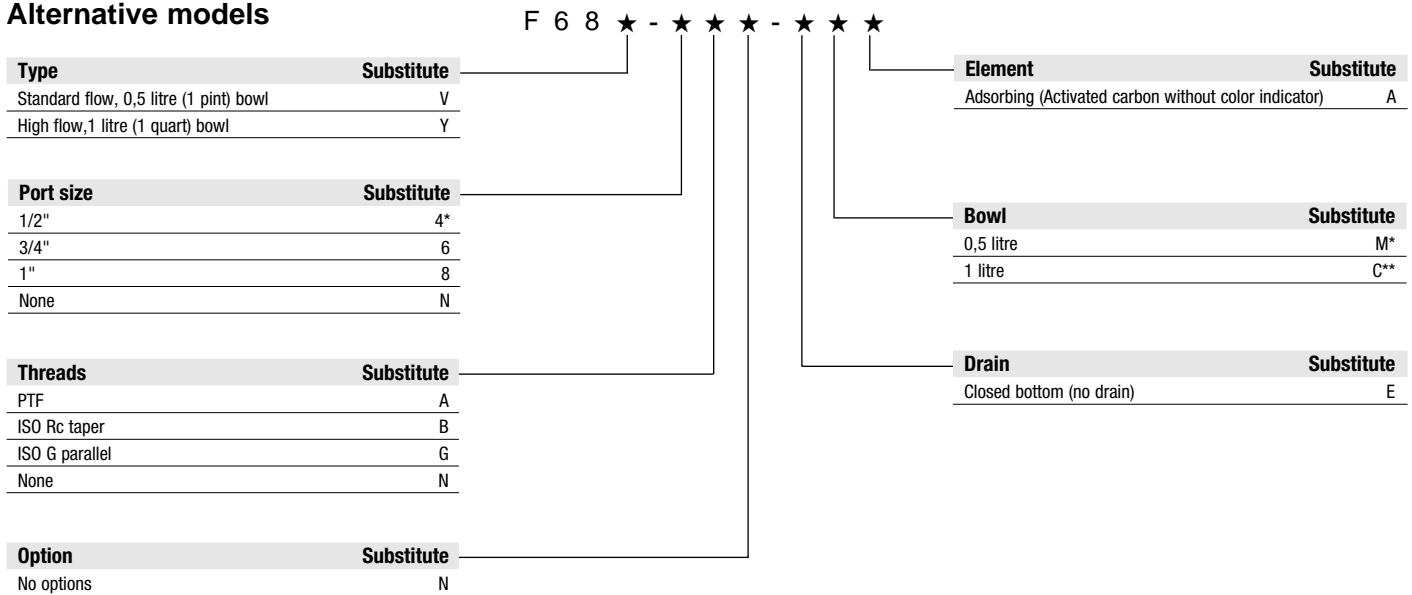
\* Maximum flow to maintain stated oil removal performance



**Ordering information** Models listed include a yoke with ISO G threads, and a filter with closed bottom (no drain) bowl.

Port size	Type	Model	kg
G1/2	Standard flow (short element)	F68V-4GN-EMA	2,33
G3/4	High flow (long element)	F68Y-6GN-ECA	2,61
G1	High flow (long element)	F68Y-8GN-ECA	2,59

### Alternative models

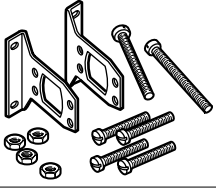


\* Only available with F68V. \*\* Only available with F68Y.



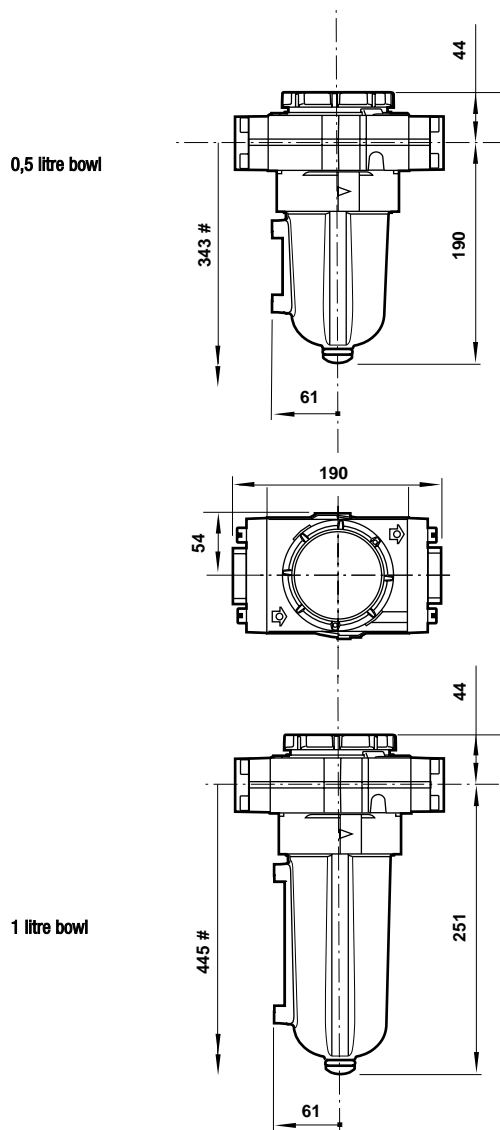
## Accessories

### Wall mounting bracket



18-001-979

## Dimensions

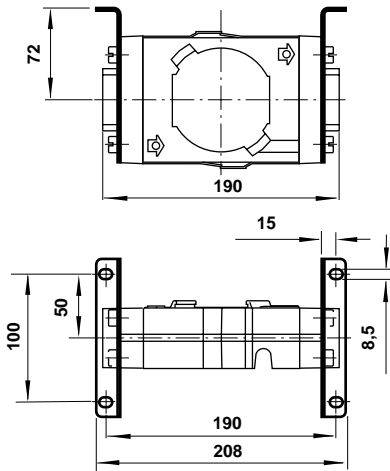


# Minimum clearance required to remove bowl



### Bracket mounting

Use 4 mm screws to mount bracket to wall.



### Bracket kit reference

Item	Type	Model
Wall mounting bracket	G1/2, G3/4, G1 ported yokes	18-001-979

### Service kits

Item	Type	Model
Service kit	Seal & gasket	4380-302
Replacement element	Standard flow (F68V)	665-72
Replacement element	High flow (F68Y)	665-70

Service kit includes element seal and bowl seal.

### Warning

These products are intended for use in industrial compressed air systems only. Do not use these products where pressures and temperatures can exceed those listed under 'Technical Data'.

Before using these products with fluids other than those specified, for non-industrial applications, life-support systems, or other applications not within published specifications, consult **NORGREN**.

Through misuse, age, or malfunction, components used in fluid power systems can fail in various modes.

The system designer is warned to consider the failure modes of all component parts used in fluid power systems and to provide adequate safeguards to prevent personal injury or damage to equipment in the event of such failure.

**System designers must provide a warning to end users in the system instructional manual if protection against a failure mode cannot be adequately provided.**

System designers and end users are cautioned to review specific warnings found in instruction sheets packed and shipped with these products.