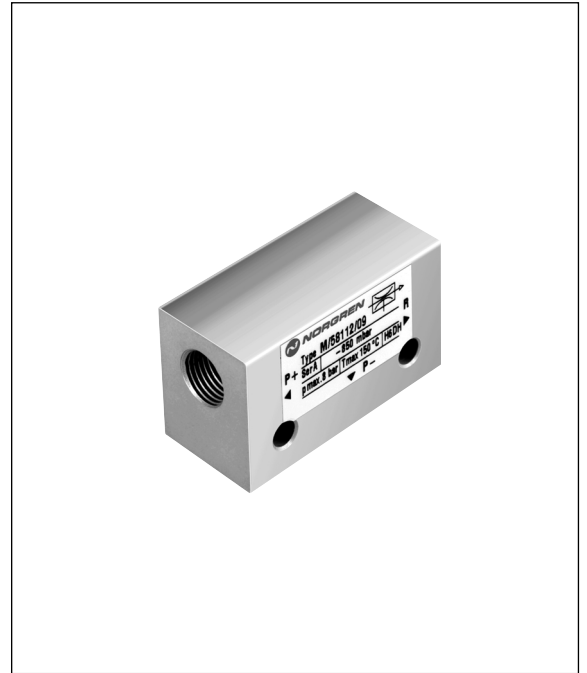


- Compact dimensions
- Compressed air driven
- Low sound level
- Easy installation



Technical Data

Medium:

Compressed air, filtered and non-lubricated

Operation:

Single stage ejector

Operating Pressure:

5 bar optimum

8 bar maximum

Vacuum:

- 0,85 bar maximum M/58112/09

- 0,90 bar maximum M/58112/11

Operating Temperature:

-20°C* to +150°C

*Consult our Technical Service for use below +2°C

Sound Level:

66/74 dB (A) vacuum port closed/ open M/58112/09

71/82 dB (A) vacuum port closed/ open M/58112/11

Materials:

Housing: Anodised aluminium

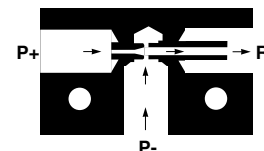
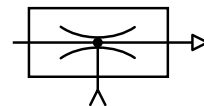
Nozzles: Brass

Ordering Example

To order a vacuum pump -0,90 bar vacuum
quote: M/58112/11

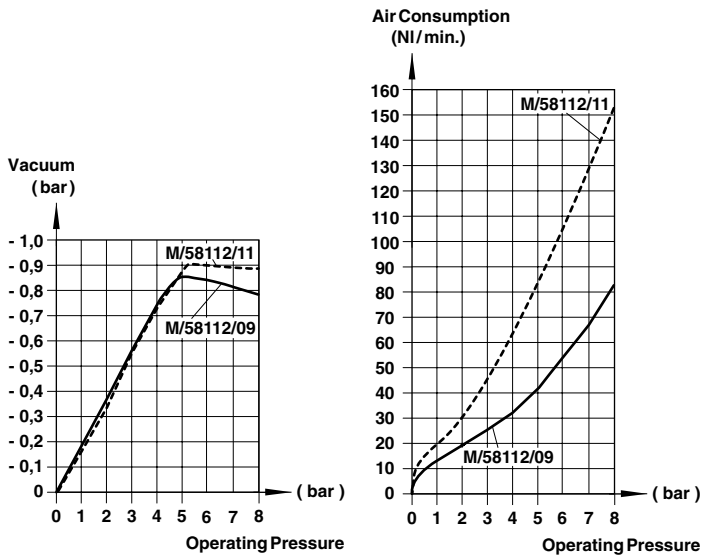
Accessories

	See page
Pneumatic vacuum switch	N 4.3.101.01
Electric vacuum switch	N 4.3.111.01
Electronic vacuum switch	N 4.3.121.01
Flat suction cups	N 3.5.011.01
Bellows suction cups	N 3.5.031.01
Vacuum gauge	N 3.4.015.03





Characteristics (All values given apply to an atmospheric pressure of 1013 mbar)



Induced air (NI/min), free air

Model	0	-0,1	-0,2	-0,3	-0,4	-0,5	-0,6	-0,7	-0,8
M/58112/09	28	24	18	14	11	8	5,5	3	1
M/58112/11	55	47	36	28	23	17	12	6	2,5

Time (sec) for evacuation of 1 litre volume to vacuum

Model	-0,1	-0,2	-0,3	-0,4	-0,5	-0,6	-0,7	-0,8	0,85	0,9
M/58112/09	0,27	0,56	0,89	1,44	2,00	2,88	4,31	7,97	14,36	—
M/58112/11	0,15	0,31	0,49	0,72	1,00	1,41	2,08	3,71	5,60	8,11

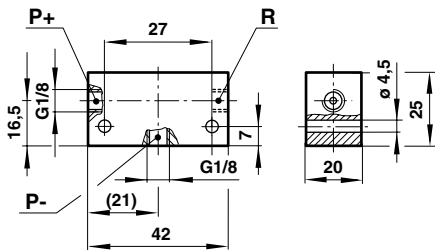
Note: Values given in the tables are theoretical and apply to an operating pressure of 5 bar

Tube Dimensions
Recommended tube dimensions
(internal diameter)

Model	Compressed air	Vacuum	Exhaust
M/58112/09	≥ Ø 3	≥ Ø 6	≥ Ø 6
M/58112/11	≥ Ø 3	≥ Ø 7	≥ Ø 9

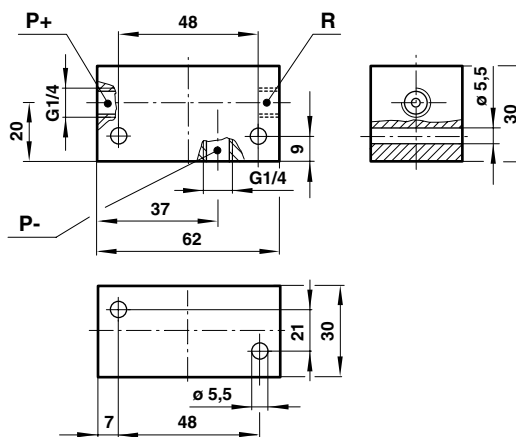
Basic Dimensions

M/58112/09



Model	Weight (kg)
M/58112/09	0,054
M/58112/11	0,157

M/58112/11



Warning

These products are intended for use in industrial compressed air systems only. Do not use these products where pressures and temperatures can exceed those listed under 'Technical Data'.

Before using these products with fluids other than those specified, for non-industrial applications, life-support systems, or other applications not within published specifications, consult NORGREN.

Through misuse, age, or malfunction, components used in fluid power systems can fail in various modes.

The system designer is warned to consider the failure modes of all component parts used in fluid power systems and to provide adequate safeguards to prevent personal injury or damage to equipment in the event of such failure.

System designers must provide a warning to end users in the system instructional manual if protection against a failure mode cannot be adequately provided.

System designers and end users are cautioned to review specific warnings found in instruction sheets packed and shipped with these products.